

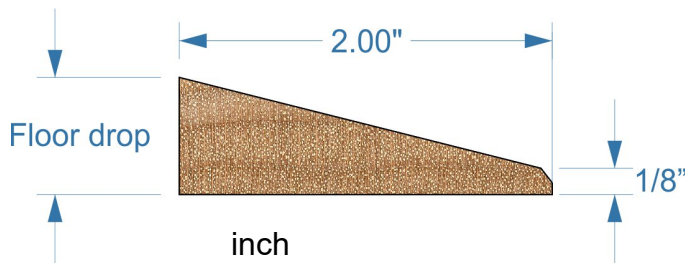
Wood

Your Name
 Purchase
 Order Tag
 Notes

Material in a box
 Plank width
 Required by

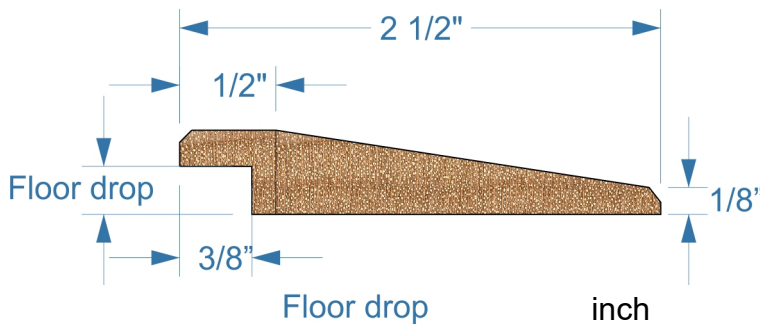
sq. ft.
 inch

Length, " Quantity
 x
 x
 x
 Total LF



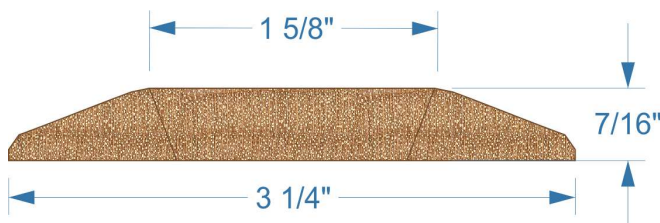
WR - Reducer, Flush

Length, " Quantity
 x
 x
 x
 Total LF



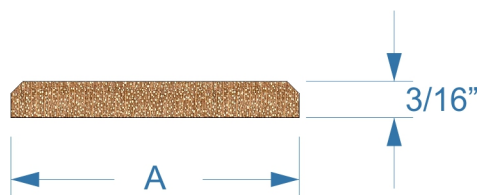
WRO - Reducer, Overlap

Length, " Quantity
 x
 x
 x
 Total LF



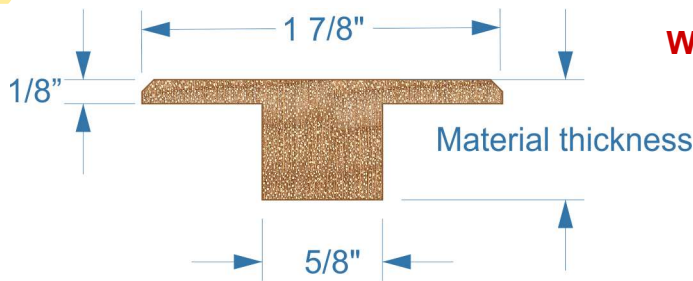
WTH - Threshold

Length, " Quantity
 x
 x
 x
 Total LF



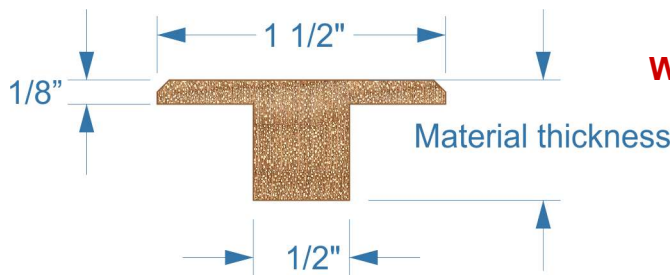
WEC - End Cap

Wood



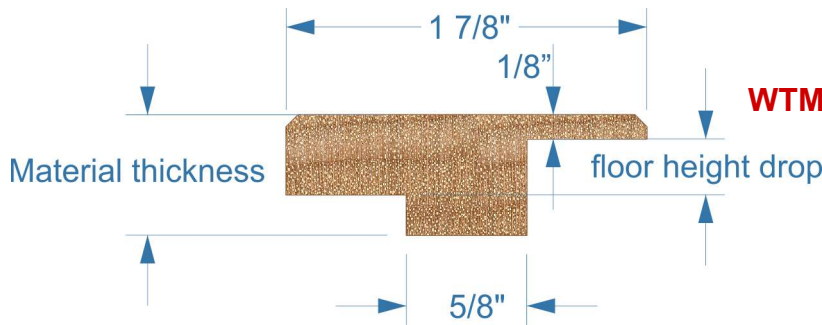
WTML - T-mould, Large

Length, "	Quantity
	x
	x
	x
Total	LF



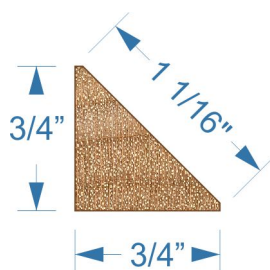
WTMS - T-mould, Small

Length, "	Quantity
	x
	x
	x
Total	LF



WTMU - T-mould, Uneven

Length, "	Quantity
	x
	x
	x
Total	LF



WIC - Inside Corner

Length, "	Quantity
	x
	x
	x
Total	LF