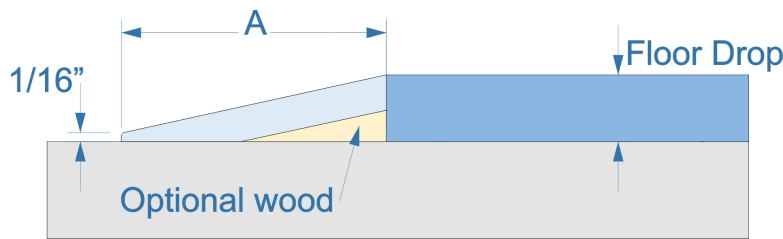
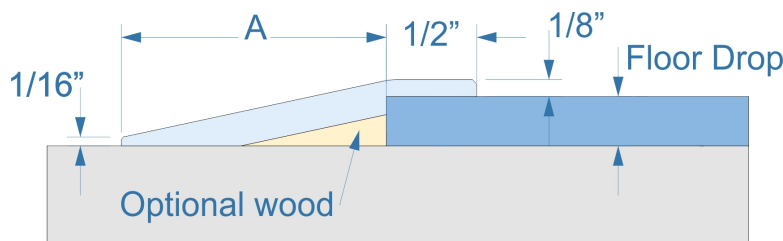


Your Name _____ Note _____
 Purchase Order _____
 Tag _____
 Required by _____
 Planks in a box _____ planks
 Plank width _____ inch
 Plank length _____ inch



Length, "	Quantity
	x
	x
	x
Total	LF

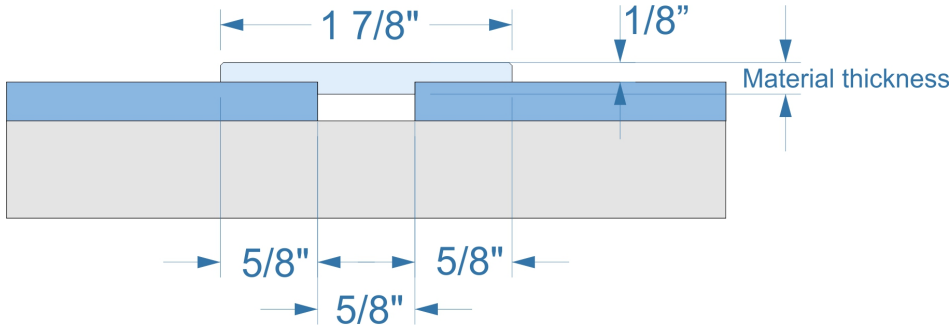
Reducer, flush VR



Length, "	Quantity
	x
	x
	x
Total	LF

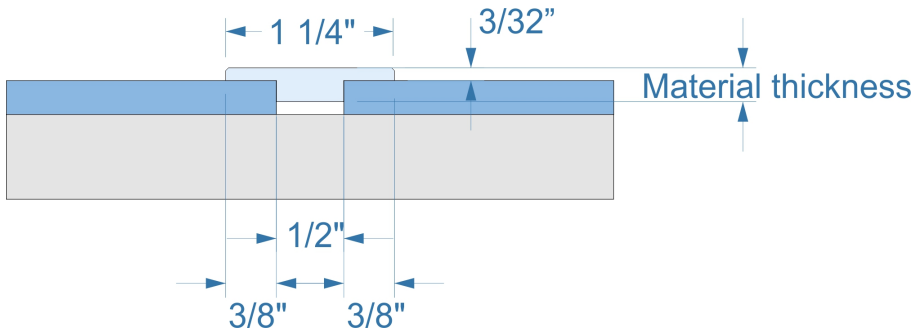
Reducer, overlap VRO

CONTINUED



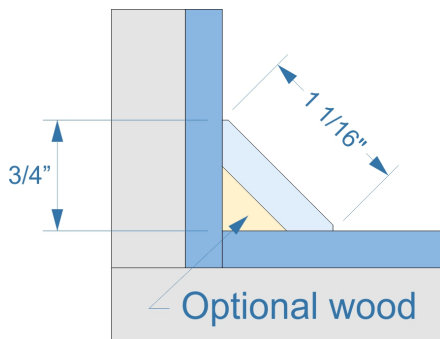
T-mould, Large VTML

Length, "	Quantity
	x
	x
	x
Total	LF



T-mould, Small VTMS

Length, "	Quantity
	x
	x
	x
Total	LF



Inside Corner VIC

Length, "	Quantity
	x
	x
	x
Total	LF