

Vinyl, glue-down

Your Name _____ Note _____

Purchase Order _____

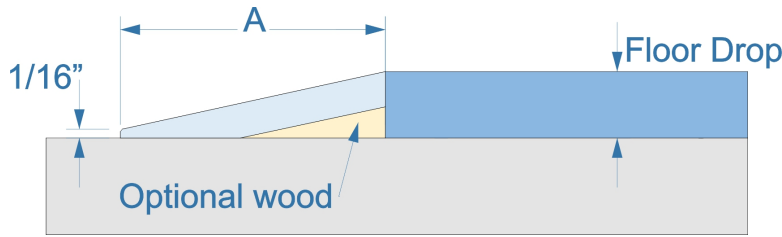
Tag _____

Required by _____

Planks in a box _____ planks

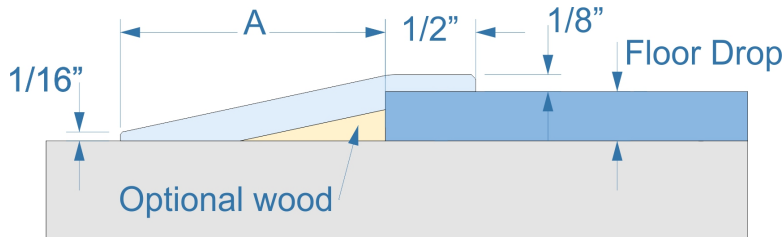
Plank width _____ inch

Plank length _____ inch



Length, "	Quantity
	x
	x
	x
Total	LF

Reducer, flush VR

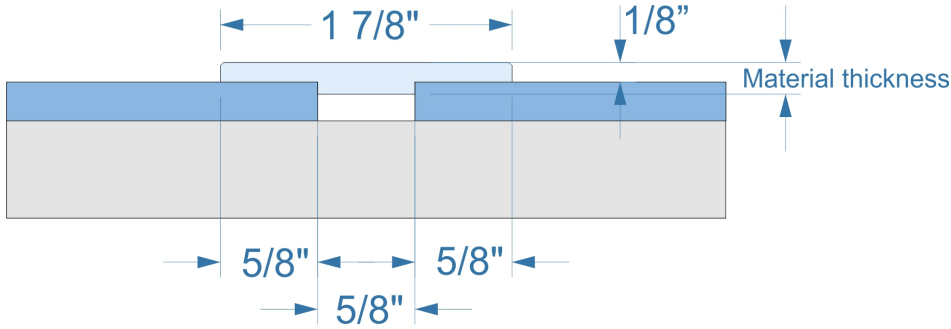


Length, "	Quantity
	x
	x
	x
Total	LF

Reducer, overlap VRO

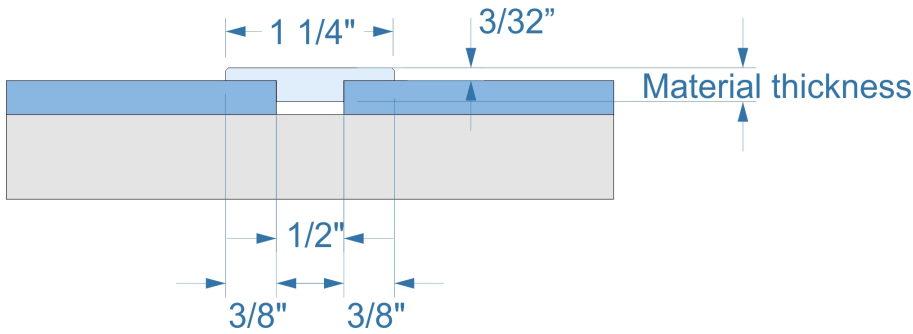
CONTINUED

Vinyl, glue-down



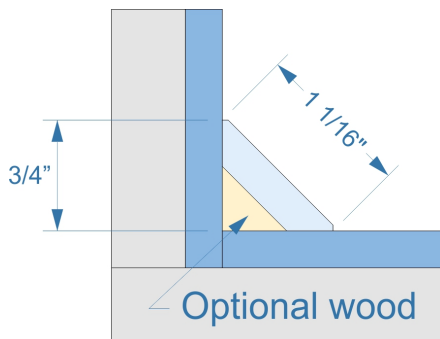
T-mould, Large VTML

Length, "	Quantity
	x
	x
	x
Total	LF



T-mould, Small VTMS

Length, "	Quantity
	x
	x
	x
Total	LF



Inside Corner VIC

Length, "	Quantity
	x
	x
	x
Total	LF